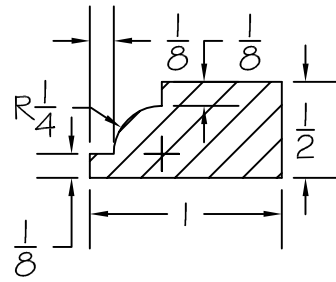
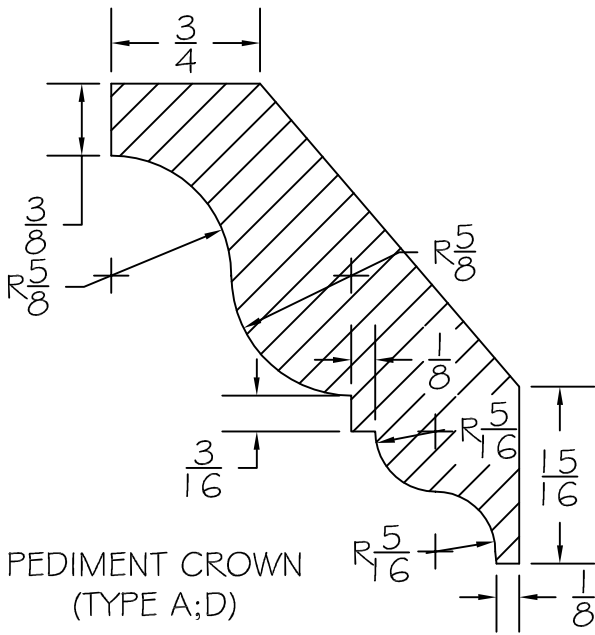


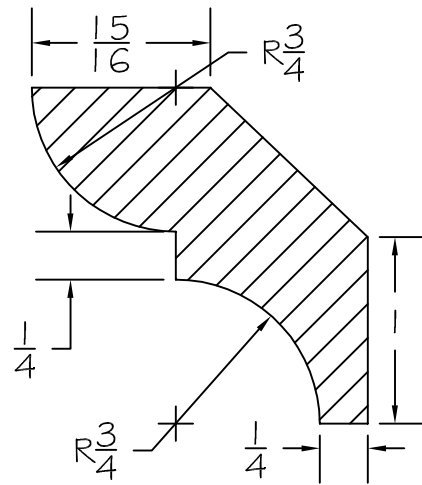
(N) PEDIMENT CAP (TYPE A;D)



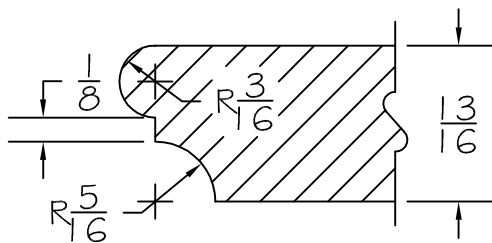
(Q) SASH STOP (ALL TYPES)



(O) PEDIMENT CROWN (TYPE A;D)



(R) BED MOLDING (TYPE B;C;E)



(P) PEDIMENT MOLDING (TYPE A;D)