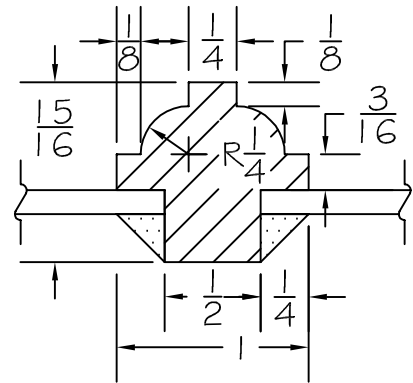


FRAME HEAD & LEGS (TYPE A;D)
ALTERNATE A



MUNTIN (TYPE A;D)
ALTERNATE A

This Frame detail most closely approximates the "original" sample which was used as blocking for later window replacements (Attic- east elevation).

This Muntin detail has been borrowed from "The Buckman Tavern; Survey #MA-547;HABS; Transom". Its thickness (15/16") has been reduced to fit the Frame as drawn.