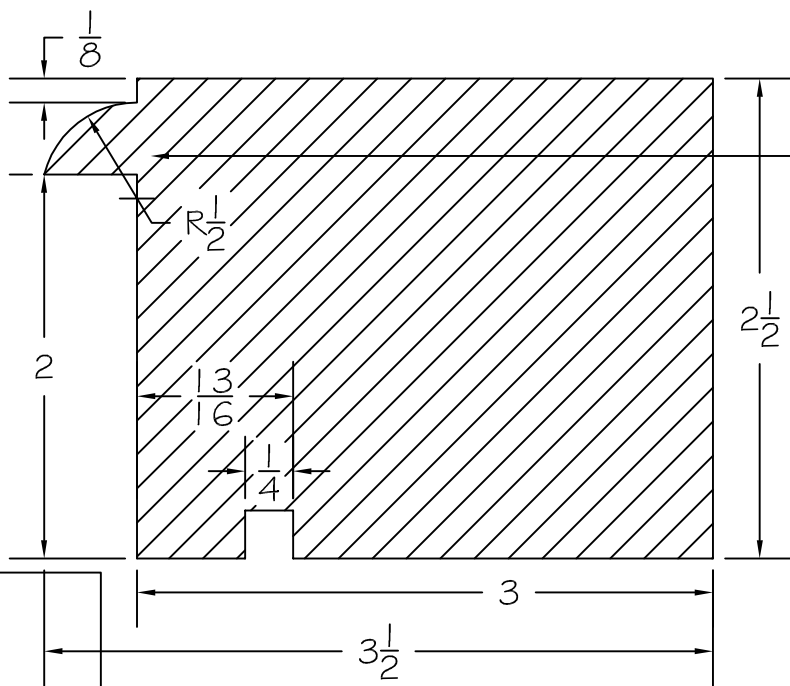


Stops increased to 1/2" for greater durability per request. (see Alternate A)

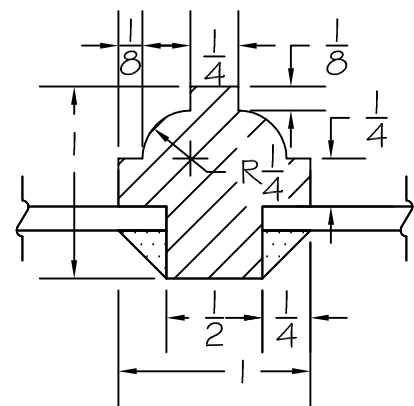
Thickness increased to accommodate uniform 1" sash thickness. (see Alternate A)

(S) FRAME HEAD & LEGS (TYPE A;D)



Stops increased to 1/2" for greater durability per request (see Alternate A)

(T) FRAME HEAD & LEGS (TYPE B;C;E)



(K) MUNTIN (ALL TYPES)