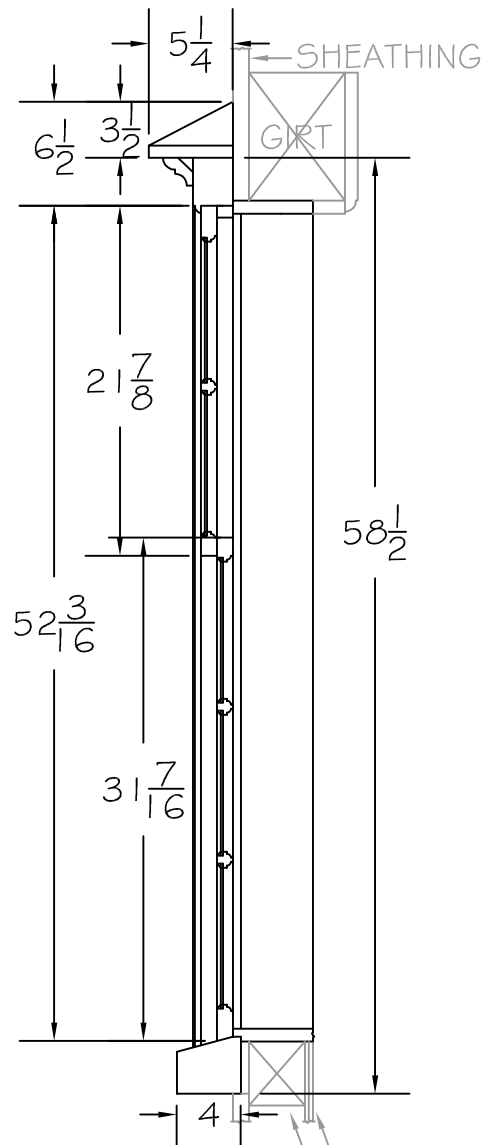
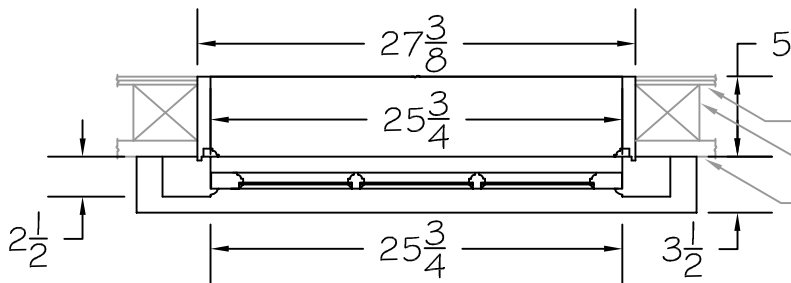


EXTERIOR ELEVATION



ELEVATION SECTION G-G



PLAN SECTION H-H

SILL BLOCK
LATHE & PLASTER
STUD
SHEATHING

Schnepel Woodworking