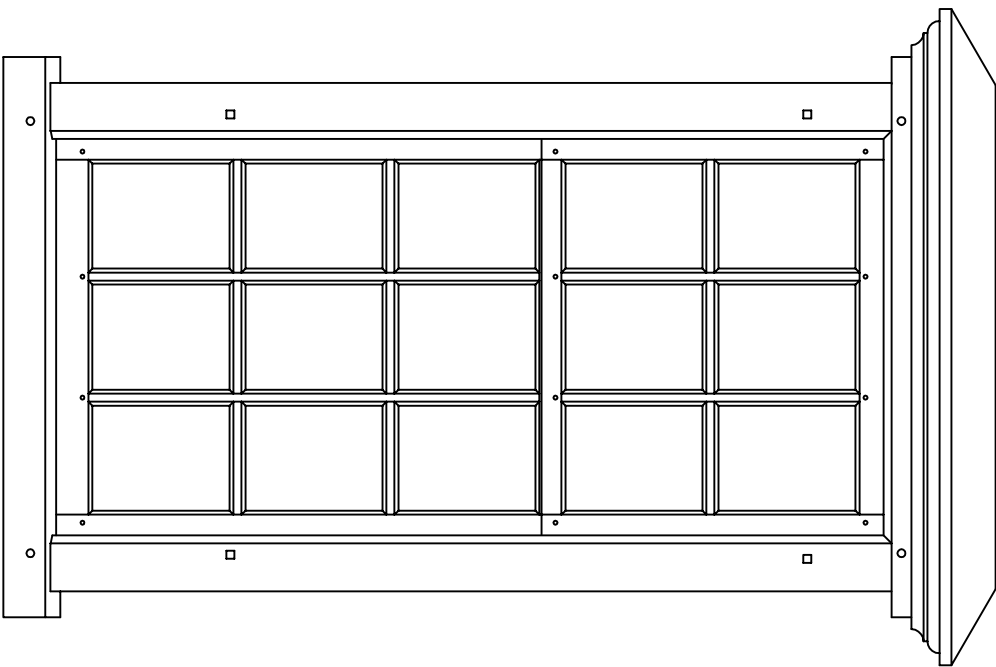
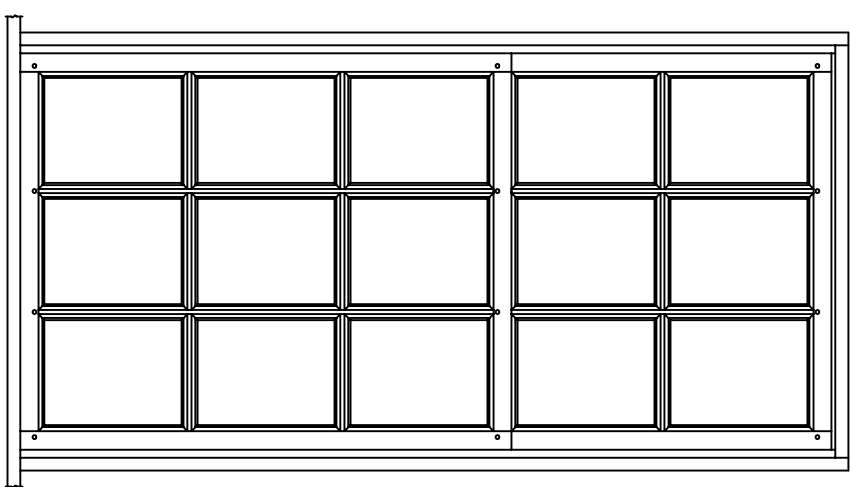


EXTERIOR ELEVATION  
TYPE A



EXTERIOR ELEVATION  
TYPE B



INTERIOR ELEVATION  
TYPE A & B

Schnepel Woodworking

BARRETT FARM~WINDOWS~1/20/09~Schnepel Woodworking~Scale: 1"=1'-0"

D1